



SEBO AIRBELT D

MADE IN GERMANY

OWNER'S MANUAL

For Household Use Only



TABLE OF CONTENTS

Technical Details	2
How To Contact SEBO	2
Important Safety Instructions	3
SEBO AIRBELT D Product Features	4
AIRBELT D1 Features	4
AIRBELT D4 PREMIUM Features	5
ET-1 Power Head for the AIRBELT D4 PREMIUM	5
Optional Attachments, Accessories, Bags and Filters	6
Standard Features of All SEBO Vacuums	7
Identification of Parts	8
Assembly	8
Operating Instructions	9
Before you use your AIRBELT D	9
Connecting the Power Head (D4).....	9
Starting the Machine	9
Suction Control.....	10
Adjusting the Telescopic Tube.....	10
Using the Telescopic Tube, Hose & Attachments.....	10
Bag Full or Clog Indicator & Auto Shut-off	10
Retracting the Cord	11
Storing the Vacuum.....	11
Use and Maintenance of Brushes and Heads	11
The Parquet Brush (D4).....	11
The Optional Premium Parquet Nozzle.....	11
The Kombi Nozzle (D1)	11
The Optional Turbo Nozzle	11
Vacuum Maintenance	12
Changing the Filter Bag	12
Changing the AIRBELT	12
Changing the Motor Filter.....	13
Changing the Hospital-grade Micro Filter.....	13
Clog Removal	14
Clogs in the Head or Brush.....	14
Clogs in the Telescopic Tube.....	14
Clogs in the Hose	14
Clogs in Entrance to Filter Bag	14
Trouble-Shooting Guide	15
AIRBELT D1 Schematic and Part Numbers	16
AIRBELT D4 PREMIUM Schematic and Part Numbers	17

TECHNICAL DETAILS

Vacuum motor	1250 watts (12 amps)	Body weight	15.9 lbs
Water lift (at motor)	95 inches	Motor protection	Thermal cut-out
Airflow (at motor)	120 CFM	Cord length	40 feet
Filter bag capacity	1.5 gallons	Range	52 feet
Sound level	63 dBA		

Technical details may be subject to change.

HOW TO CONTACT SEBO

To contact SEBO in the United States of America:

SEBO America, LLC
 Telephone: (800) 334-6614
 Fax: (303) 792-9196
 Website: www.sebo.us

To contact SEBO in Canada:

Floor Care Equipment, Ltd.
 Telephone: (800) 661-8687
 Fax: (800) 270-4807
 Website: www.sebocanada.ca

IMPORTANT SAFETY INSTRUCTIONS



READ ALL INSTRUCTIONS BEFORE USING THIS MACHINE

When using an electrical appliance, basic precautions must always be followed.

To reduce the risk of electric shock, this vacuum cleaner has a polarized plug; one blade is wider than the other. This plug will fit in a polarized outlet only one way. If the plug does not fit fully in the outlet, reverse the plug. If it still does not fit, contact a qualified electrician to install the proper outlet. Do not change the plug in any way. Connect only to the outlet type specified on the serial number plate underneath the machine.

SAVE THESE INSTRUCTIONS.

WARNING: To reduce the risk of fire, electric shock, or injury:

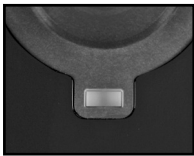
1. Use only as described in this manual. Use only manufacturer-recommended attachments.
2. Do not use outdoors or on wet surfaces.
3. Do not use near small children or pets. Do not allow to be used as a toy. Use of this product by children should always be supervised by an adult.
4. Do not put any object into vacuum openings. Do not use machine with any openings blocked. Keep openings free of lint, hair, and anything that may reduce air flow.
5. The hose contains electrical wires. Do not use if damaged, cut, or punctured.
6. Do not use with a damaged cord or plug.
7. Do not handle plug or vacuum handle with wet hands.
8. Do not leave vacuum while plugged in. Unplug from outlet when not in use and before servicing.
9. Do not pull or carry by cord, use cord as a handle, close a door on cord, or pull cord around sharp edges or corners. Do not run vacuum over cord. Keep cord away from heated surfaces.
10. While the vacuum is in use, the power cord should be unwound from the cable reel at least two thirds of its length or approximately 25 feet.
11. Do not use outlets above counters to plug in vacuum – damage to items in the surrounding area could occur.
12. Turn off all machine controls before unplugging.
13. Do not unplug by pulling on cord. To unplug, grasp the plug – not the cord.
14. Do not vacuum up anything that is burning or smoking, such as cigarettes, matches, or hot ashes. Do not use machine to vacuum up flammable or combustible liquids such as gasoline. Machines can cause a fire when operated near flammable vapors or materials. Do not operate this vacuum near flammable fluids, dust or vapors.
15. Do not use vacuum without filterbag and/or filters in place.
16. Do not re-use filter bags or wash the filters.
17. Always carry the vacuum over steps and sills.
18. Use extra care when cleaning on stairs.
19. Do not use vacuum as a step.
20. Keep hair, loose clothing, fingers, and all parts of body away from vacuum openings and moving parts. Do not place fingers or other body parts under vacuum unless it is unplugged.
21. Avoid picking up sharp objects.
22. Always unplug vacuum before connecting or disconnecting either hose, telescopic tube or power head.
23. Maintenance and repairs must be done by authorized service personnel.
24. Use only original SEBO replacement parts.
25. If vacuum is not working as it should, has been dropped, damaged, left outdoors, or dropped into water, contact a SEBO service center.
26. Do not remove any screws from vacuum.
27. The vacuum has a manual reset thermal protector. The protector is reset by switching off the vacuum. The thermal protector needs some time to cool down after switching off! Check the vacuum for air blockages or mechanical failures before switching on.
28. Store the vacuum in a dry place at room temperature. When the vacuum is not in use, you should rewind the cord onto the cord reel. Hold plug when rewinding onto the cord reel. Do not allow plug to whip while rewinding.
29. If using a power head with this vacuum, use only a SEBO power head. Refer to power head manual for further information.

SEBO AIRBELT D PRODUCT FEATURES

The SEBO AIRBELT D is equipped with many extras that will make your life easier! Its "suction-optimized" airflow pathway, together with its one-of-a-kind tapered-hose technology, provides ultra-quiet operation and amazing suction power. And the ergonomically designed handle offers unmatched user comfort and smooth operating maneuverability. Every detail expresses the highest quality, modern design, reliability, and the standard features SEBO customers throughout the world have come to expect, such as:

- SEBO's patented AIRBELT Bumper Guard.
- An adjustable telescopic tube.
- Long-lasting motor life, which is further extended by its soft-start switch.
- S-class, hospital-grade filtration, which is excellent for users with allergies or asthma.

Bag Full or Clog Indicator & Auto Shut Off – The "BAG FULL OR CLOG" indicator (located on top of the canister near the ON/OFF power control knob) will turn orange and the machine will automatically shut off when it senses a full bag, a clog in the airflow pathway, or an excessively dirty micro filter. If the user ignores this warning, the suction motor will heat up due to the lack of cooling provided by the airflow. Once the motor reaches a certain temperature it will shut off to protect itself from damage. The user should turn the switch off, unplug the machine and immediately insert a new bag or remove the clog (to remove a clog, refer to the Clog Removal section on page 13). After approximately 30 minutes, the motor will have cooled and the vacuum can be restarted.



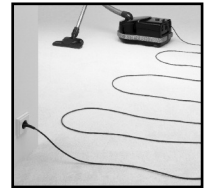
Quick-release Connections – The AIRBELT D models allow for quick and convenient connection of telescopic tubes, power brush heads, accessory cleaning heads and on-board tools.



Three Full-Size On-board Tools and Parquet Brush – The vacuum comes standard with a crevice tool, dusting brush and upholstery nozzle which are conveniently stored on the vacuum.

Comfortable Ergonomic Handle – The AIRBELT handles are ergonomically designed and positioned to reduce wrist and arm fatigue. For extra comfort, an additional swivel is built into the handle-to-hose connection.

Large Operating Range – A 40-foot cord with a 52-foot cleaning radius saves time because it minimizes the number of electrical outlets needed during use.



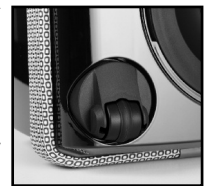
320-Degree Rotating Hose – A brilliantly designed hose-to-canister connection allows 320-degree rotation of the suction hose, providing easier user movement and machine maneuverability.



Shock Absorber Provides Furniture and Wall Protection – The patented "AIRBELT" bumper that surrounds the D4 canister acts as a protective barrier. The soft foam bumper with its durable covering protects furniture, walls and the vacuum itself from damage during use.



Personalized Vacuums – AIRBELT canister vacuums can be personalized with a replacement AIRBELT bumper cover available in eight patterns and colors.



Rubber-coated Wheels and High Quality Castors – The quality of the wheels and castors on SEBO canisters prevent damage to floors and rotate 360° for easy maneuverability.



A Huge 1.5-Gallon Filter Bag – The large-capacity filter bag is convenient and economical because fewer bag changes are needed.

AIRBELT D1

AIRBELT D1: The SEBO AIRBELT D1 is a straight-suction vacuum. As a result, it differs from the AIRBELT D4 in the following two ways:

1. Variable Power Control on Canister Body – Because the AIRBELT D1 does not have an electrified hose and telescopic tube, its variable power control switch is located on the canister body, not the handle.

2. Can Not Use a Power Brush – The AIRBELT D1 does not have an electrified telescopic tube and hose; therefore, it does not accommodate an electrified power brush. Instead, your D1 model comes standard with a Kombi Nozzle for rugs and carpet.



Powerful Vacuum Motors Provide Excellent Cleaning – The D1 canister suction motor is 1250 watts.



AIRBELT D4 PREMIUM

Designed for All Floor Surfaces.

The AIRBELT D4 PREMIUM has an electrified hose and telescopic tube designed to accommodate the ET-1 power head. The ET-1 power head is designed to provide thorough brushing for optimal cleaning of carpets. With a power brush to clean carpets and a parquet nozzle to clean hard floors, the AIRBELT D4 PREMIUM provides all the flexibility needed to care for a variety of floor surfaces.



Included is the Parquet Brush for gently cleaning hard floors. It is lightweight with soft bristles, so it glides gently over floors.



High-quality Telescopic Tube and Hose – The power cord is built inside the telescopic tube and suction hose. This eliminates unsightly external wires and enables unobstructed and convenient handle height adjustment.

Variable Power Control on Handle – The vacuum's suction power can be adjusted from 0 to 1,250 watts by a rocker switch conveniently located on the handle.



LED Suction-power Indicator – The indicator tells the user with a glance how much suction power they are using. The light rotates slower or faster depending on the suction setting.

Powerful Vacuum Motors Provide Excellent Cleaning – The canister suction motor is 1250 watts, and the D4 ET-1 power head motor is 175 watts, for a total of 1,425 watts..



ET-1 Power Head for the AIRBELT D4 PREMIUM

Deep clean your carpet with a SEBO ET-1 power head. THE SEBO ET-1 power head is virtually maintenance free, and the electronic overload protection feature extends belt life by automatically shutting off power if a brush roller jams. This power head delivers cleaning flexibility because the brush action aggressively cleans carpeting, and the brush may be switched off to clean hard floors and delicate rugs. The steering ability of the swivel neck helps to easily clean around obstacles, and the L-shaped head provides maneuverability around furniture and under cabinets. The ET-1 also has brush height and brush wear warning lights.



Cleaning Dimensions – The ET-1 power head is 12 inches wide, with a cleaning width of 10½ inches.

Both Carpet and Hard Floor Cleaning – With a power brush to clean carpets and a parquet nozzle to clean hard floors, the AIRBELT D4 provides all the flexibility needed to care for a variety of floor surfaces.

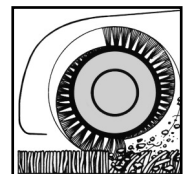
Brushless Cleaning Capability – The ET-1 power head can provide gentle, brushless cleaning of delicate rugs or hard floors because the brush roller may be switched off, but suction will continue.

Brush Obstruction Light & Auto Shut Off – If an obstruction becomes jammed in the brush roller, a warning light will quickly flash, the brush roller will immediately stop spinning and the vacuum will shut off. The user should turn the power switch off, unplug the machine, and immediately remove the obstruction. If the user restarts the machine without removing the obstruction, the power head will again shut off and the amber light will turn on. This prevents the belt from breaking and protects the motor from damage.



Incorrect Height Setting or Brush Deterioration Light – To ensure optimum cleaning at all times, a warning light will illuminate to indicate when the brush height is set too high for effective cleaning, or when the brush roller should be replaced due to excessive wear.

Four-level Manual Brush Height Adjustment – The brush height can be adjusted up or down for optimum cleaning.



OPTIONAL ATTACHMENTS, ACCESSORIES, BAGS & FILTERS

In addition to the standard on-board tools, a variety of optional attachments are available. The nine-foot extension hose (extends suction hoses) and the 20-inch extension tube are very popular because they create useful tools for cleaning stairs and out-of-reach areas. Another popular attachment is the hand-held turbo brush for removing pet hair from upholstery and stairs. See page 11 for more information on the Premium Parquet, Kombi and Turbo Nozzles.

SEBO filter bags can be purchased in boxes of eight and filters are sold as a set. SEBO bags, filters and accessories are reasonably priced and widely available.

To create a fresh scent while vacuuming, "SEBO FRESH" is available. To use, deposit a scented stick in the filter bag.



Turbo Nozzle
Part #6780ER

Premium Parquet Nozzle
Part #7200GS

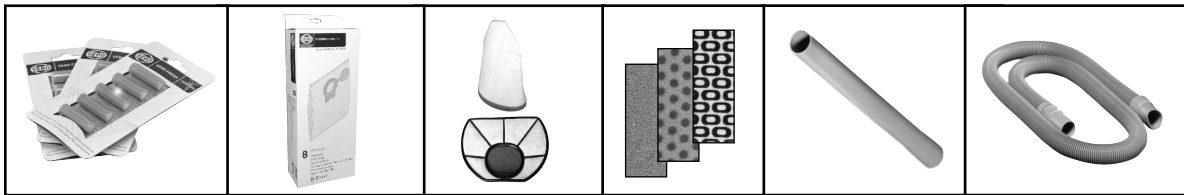
Kombi Nozzle
Part #1397GS

Wall & Floor Brush
Part #1325HG

Flat Upholstery Nozzle
Part #1090HG

Hand-held Turbo Brush
Part #6179ER

Radiator Brush
Part #1496DG



SEBO FRESH
Part #0496AM

D Filter Bags
Part #8120AM

Filter Set
Part #8191AM

AIRBELT
Available in
several colors
and patterns
Part #6047AM/01-08

20-inch Extension Tube
Part #1084HG

9-foot Extension Hose
Part #1495AM

NOTE: The Premium Parquet Nozzle has a removable brush strip for cleaning and replacement.

To change the brush strip, remove the yellow cap with a screw driver and pull out the brush strip. After inserting the new brush strip, the cap has to click into place again.

STANDARD FEATURES OF ALL SEBO VACUUMS

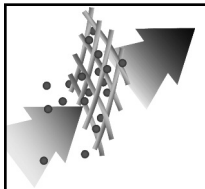
SEBO'S FILTRATION SYSTEM:

Bags are Better! – On all models, top-fill, three and four-layer bags are an integral part of SEBO's filtration system because they hold virtually all dirt captured by the vacuum, which improves the effectiveness and useful life of the microfilters. They also ensure continuously strong suction because dirt enters from the top, deposits at the bottom, accumulates upward, and air exits through the sides, which allows unimpeded airflow as they fill to capacity. And they can be sealed when full, so no dust can escape into the air during bag removal and disposal.

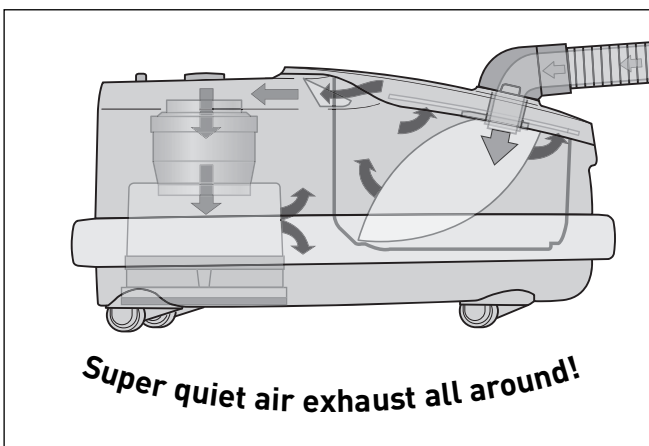


In contrast, without bags to hold nearly all the captured dirt, the microfilters on bagless vacuums quickly clog from excessive dirt build-up and must be replaced often, or a loss of suction and cleaning effectiveness will occur. In addition, dust and other allergens become airborne when emptying bagless dirt containers. Lastly, bagless vacuum microfilters are expensive, usually costing more than a multi-year supply of SEBO filter bags.

Pre-motor Filters – Pre-motor filters clean suction air after it passes through the filter bag, but before it passes over the vacuum motor. Cooling the motor with clean air is important because this increases useful life expectancy.



S-class Exhaust Microfilters – S-class Exhaust Microfilters (S = "Schwebstoff" = airborne particles) are made from electrostatically charged micro-fiber material, which attracts and captures dust particles from the airflow of the vacuum after it passes over the motor to cool it. This means that exhaust air is cleaned to the highest level. The S-class Standard requires filters to absorb greater than 99.9% of particles down to 0.3 microns in diameter. For comparison, 100 microns is the diameter of a human hair. Their advantages are a relatively open texture that allows smoother airflow for better suction performance, a longer life expectancy, and they cost less than HEPA filters.



Designed and Manufactured in Germany – Legendary quality, reliability and performance make SEBO vacuums the choice of cleaning professionals throughout the world.

Excellent for Users With Allergies or Asthma – The British Allergy Foundation recommends SEBO filters.

Tightly Sealed Vacuums Ensure Effective Filtration – Dirty air, which flows through a vacuum, can only be filtered completely if it does not escape into the room through seams or seals in the machine. This is why all SEBO vacuums have tight seals throughout. Many vacuum companies with high-filtration claims are actually quoting specifications made by the manufacturer of the filter material, as measured in the laboratory, not the filtration effectiveness of the vacuum itself while operating. Whether or not dirty air can escape through leaks in the body of the machine is not considered. The filtration effectiveness of SEBO vacuums is tested while they operate.

Save Money! SEBO Vacuums Last for Years and Extend Carpet Life! – If properly maintained, SEBO vacuums save ordinary residential users hundreds of dollars by providing excellent performance for ten to fifteen years or more, and their deep-cleaning power-brush technology extends the life of carpets. Typical vacuums perform poorly, even when new, and usually do not last beyond two years. So six or seven "disposable vacuums" must be purchased during the average life expectancy of just one SEBO machine.

Outstanding Warranty Coverage – SEBO is confident about the quality of all its vacuums. Therefore, all models include a five-year warranty on the motor and all non-wear parts.

SEBO Microfilters Ensure Continuously Strong Suction Performance – They are also long lasting, inexpensive and easy to change in seconds.

Changing Bags is Easy and Clean – SEBO filter bags can be changed in just a few seconds, and a cap keeps dust sealed inside during removal and disposal.

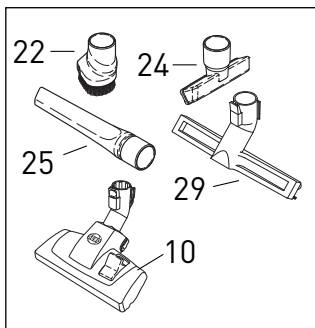
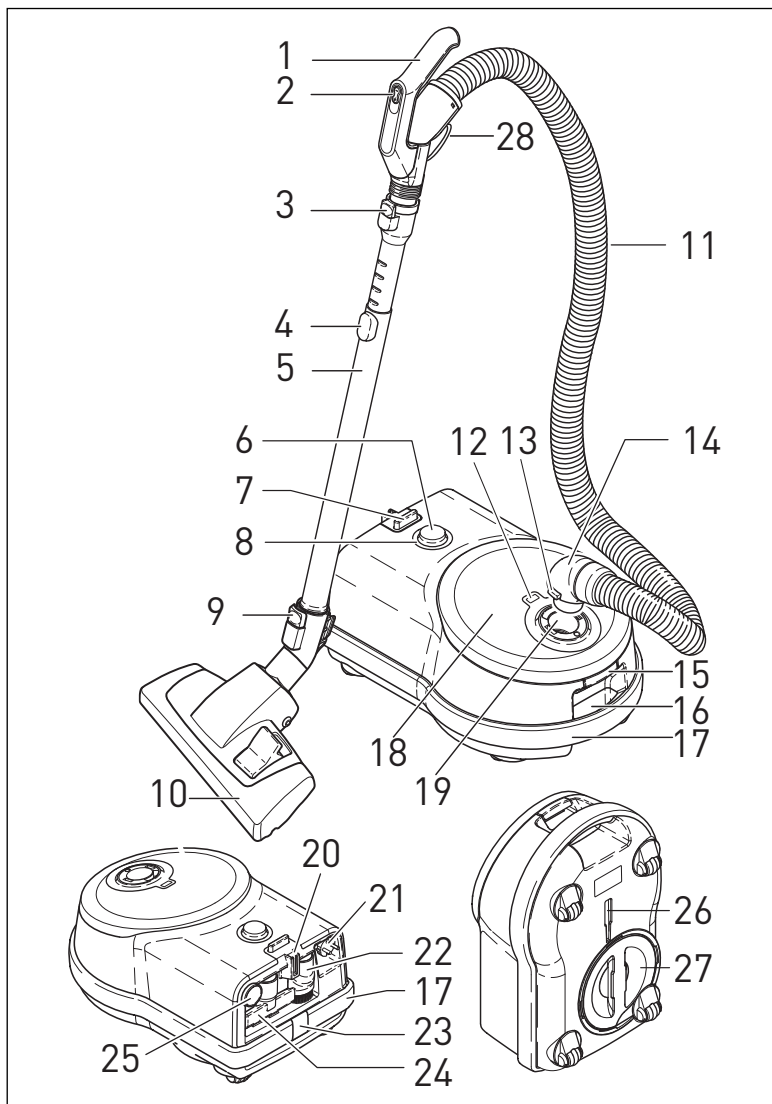


Effective Pet Hair Removal – All SEBO vacuums easily remove pet hair!



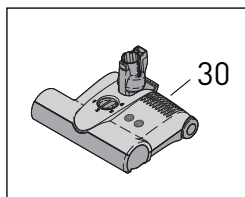
IDENTIFICATION OF PARTS

1. Handle grip
2. Power control rocker (D4)
3. Tube release button
4. Slide button
5. Telescopic tube
6. On/Off button (D4)
7. Cable rewind button
8. LED suction-power indicator (D4)
9. On/Off button, suction-power control (D1)
10. Kombi nozzle
11. Hose
12. Bag full or clog indicator
13. Hose neck release tabs
14. Hose neck
15. Cover release catch
16. Carrying handle
17. AIRBELT shock absorber
18. Filter bag cover
19. Suction opening
20. Parking groove
21. Power cable
22. Dusting brush
23. AIRBELT clip
24. Upholstery nozzle
25. Crevice nozzle
26. Parking groove
27. Micro filter holder
28. Mains cable (D4)



Standard Attachments & Heads

22. Dusting brush
24. Upholstery nozzle
25. Crevice nozzle
29. Parquet brush - standard for D4, optional for D1 - Part #6391DA
10. Kombi nozzle - standard for D1, optional for D4 - Part #1397GS



Standard Power Head - D4 PREMIUM

30. ET-1 Power Head - Standard on D4 PREMIUMS - Part #9258AM White Part #9951AM Black (Onyx)

ASSEMBLY

Push the neck (14) of the hose (11) into the suction opening (19) of the canister (figure 1-A). When all four notches are lined up correctly, the neck will snap firmly into place. To release the hose from the suction opening, squeeze the release tabs (13) on both sides of the neck of the hose (14), and pull the neck out.

Connect the handle grip (1) to the top of the telescopic tube (5). Snap in place (figure 1-B). To release the telescopic tube (5) from the handle grip, push the handle release button (3) and slide the handle out.

Attach the nozzle or brush to the bottom of the telescopic tube (5). Insert the bottom of the telescopic tube into the neck of the nozzle or brush (10) until it locks into place; or line up the square hole in the telescopic tube with the notches in the front of the neck, and snap firmly into place (figure 1-C). To release a nozzle or brush from the telescopic tube (5), push the head release button (9), and pull the head or brush tool off the end of the telescopic tool. The release button (9) is in the same position on all of the heads, brushes and power heads.

D4 PREMIUM USERS: To attach the SEBO ET-1 power head to your D4 PREMIUM, see page 9 or your power head owner's manual for instructions. ATTACHING INCORRECTLY COULD CAUSE DAMAGE!

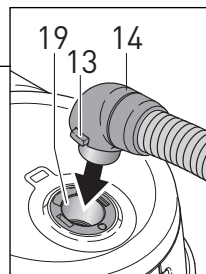


Figure 1-A

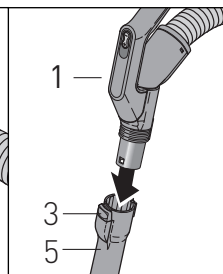


Figure 1-B

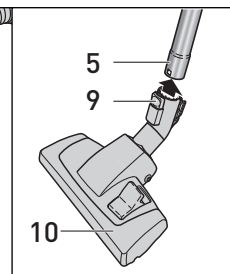


Figure 1-C

OPERATING INSTRUCTIONS

BEFORE YOU USE YOUR NEW AIRBELT D - Figures 2, 3, 4 & 5

Your AIRBELT D canister is equipped with a soft start system and variable speed controls. To help you better understand the various power control options on your SEBO canister, please follow the instructions below.

D4 PREMIUM Users: Connect the Power Head - Figure 2

1. Connecting the power head: The telescopic tube has an electrical connection tab (A) that plugs into the suction neck of your SEBO power head opposite the tool release button. The electrical connection tab can be pushed closer to the tube or pulled further away from the tube to accommodate different SEBO power heads. For the ET-1 and ET-2 units that are most commonly used with the D4 Series, the tab should be pulled away from the tube. During normal use of the machine without accessories attached to the tube, this tab can be "bumped" out of place. If the telescopic tube does not easily snap into place when trying to reconnect to a SEBO power head, the electrical connection tab may need to be repositioned as described above.

Please refer to your power head user's manual for more detailed instructions for connecting and using your power head

2. Grasp the plug and pull the power cord (21) out from the power cable recess (figure 3). The power cord should be unwound from the cable reel at least two thirds of its length or approx. twenty-five feet. Do not over extend the cord. **DO NOT PLUG INTO POWER SOURCE UNTIL STEP 3 BELOW.**
3. Grip the handle of the hose (1) with your thumb over the power control rocker (#2, figure 4).
4. Plug the polarized power cord into a 120 volt wall outlet located near the floor.
5. If the canister powers up as soon as you plug it in, note that the blue LED light (8) around the on/off button (6) will pick up speed as the suction on the canister increases (figure 5). It will reach full power in a few seconds.
6. If the canister does not power up as soon as you plug it in, gently press the on/off button on the canister (6) with your hand or foot.
7. Press the (-) on the power control rocker (2) to decrease the suction or the (+) to increase the suction on the canister (figure 4). You can press the rocker several times or hold it down steadily until you reach the suction desired.
8. If you continue to press the (-) you will eventually put the canister in stand-by mode. Stand-by mode means that the canister is plugged in, but not running. Note that when the canister is in stand-by mode, the blue light (8) around the on/off switch on the canister blinks back and forth.
9. When the canister is in stand-by mode, it can be restarted by pressing the (+) on the rocker switch. When the canister is restarted this way, it powers up with minimum suction.
10. **BEFORE PROCEEDING WITH FURTHER ASSEMBLY AND USE**, turn off the vacuum with the on/off button on the canister (6) AND unplug the unit from the wall outlet.

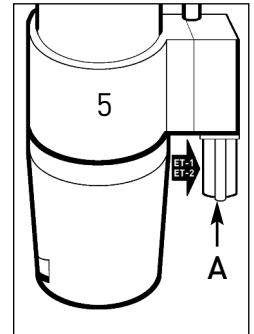


Figure 2

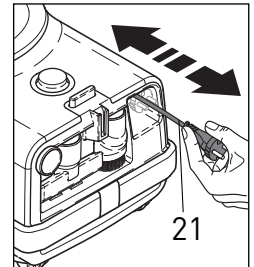


Figure 3

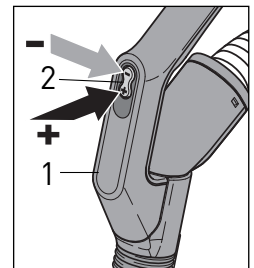


Figure 4

D1 USERS:

1. Grasp the plug and pull the power cord (21) out from the power cable recess (figure 3). The power cord should be unwound from the cable reel at least two thirds of its length or approx. twenty-five feet. Do not over extend the cord. **DO NOT PLUG INTO POWER SOURCE UNTIL STEP 3 BELOW.**
2. Grip the handle of the hose (1).
3. Plug the polarized power cord into a 120 volt wall outlet located near the floor.
4. Press the main power control knob on the base of the canister (6) gently with your foot or hand (figure 5). The blue light (8) will illuminate indicating that the power is on. Rotate the button to increase/decrease suction
5. **BEFORE PROCEEDING WITH FURTHER ASSEMBLY AND USE**, turn off the vacuum with the on/off button on the canister (6) AND unplug the unit from the wall outlet.

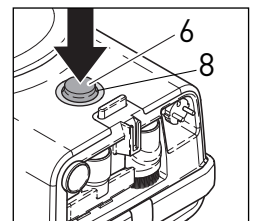


Figure 5

ALWAYS TURN THE POWER OFF ON THE CANISTER BEFORE UNPLUGGING THE UNIT.

ALWAYS TURN OFF THE CANISTER AND UNPLUG BEFORE CONNECTING OR DISCONNECTING THE HOSE (11), TELESCOPIC TUBE (5) OR POWER HEAD.



WARNING!

The quality, condition, coating, texture, age and manufacturing technique of all floor surfaces vary. Therefore, vacuums with rotating brushes, including your SEBO, may damage some floor coverings or surfaces. Some types of high-gloss hardwood floors, cushion vinyl, berber carpets, long shag, and delicate or hand-woven carpets are particularly vulnerable to damage by rotating brushes. When possible, consult the materials supplied by your flooring manufacturer for information on proper upkeep and cleaning. **To ensure that your new SEBO vacuum cleaner is compatible with your floor, please test the vacuum cleaner on each type of flooring surface in a small inconspicuous area to determine if any damage occurs. If damage occurs, stop using the vacuum cleaner immediately!**

Suction Control - D4 PREMIUM Users - Figure 6-A

The suction will automatically increase to maximum power after the machine is switched on at the canister. You can control the suction by pressing the plus (+) or minus (-) on the power control button (2) conveniently located on the handle grip (1). Press the plus on the button for maximum suction or press the minus to reduce suction for vacuuming curtains or delicate fabrics. You may adjust the suction control with the power control button (2) as you vacuum different surfaces or when using the accessory tools. For optimal cleaning and brushing, operate the machine at the maximum suction power setting and push the head slowly over the carpet.

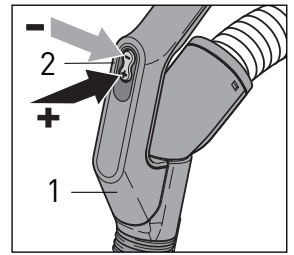


Figure 6-A

Suction Control - D1 Users - Figure 6-B

The suction control dial is located on the top side of the canister on the power control knob (6). Rotate the dial clockwise for maximum suction. Rotate counter-clockwise to reduce suction for vacuuming curtains or delicate fabrics.

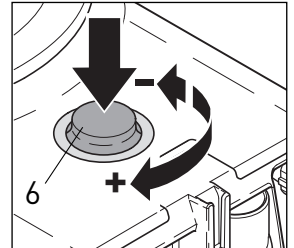


Figure 6-B

Adjusting the Telescopic Tube - Figure 7

Adjust the telescopic tube (5) to the correct height by pushing the slide button (4) and gently pulling the tube out to lengthen, or pushing it in to shorten. Release the slide button (4) to lock the tube to the adjusted height.

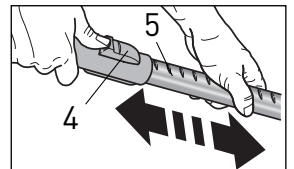


Figure 7

Using the Telescopic Tube, Hose & Attachments - Figures 8, 9 & 10

ALWAYS TURN OFF THE CANISTER AND UNPLUG BEFORE CONNECTING OR DISCONNECTING THE HOSE (11), TELESCOPIC TUBE (5) OR POWER HEAD.

The telescopic tube (5) is useful for vacuuming corners and hard-to-reach areas. Connect the telescopic tube (5) to the handle grip (1). To disconnect, simply press the tube release button (3) and pull the tube off the handle (figure 8). Most SEBO accessories can be attached directly to the handle grip (1) with the telescopic tube removed (figure 9).

SEBO accessories with a button lock or release button will "SNAP" into place when attached correctly. The release button (9) is in the same position on all SEBO nozzles, brushes and power heads (figure 10). Friction fit accessories like the on-board tools should be snug, but not overly tight. When connecting or changing any SEBO non-electrical accessories such as the parquet brush (28), crevice nozzle (25), dusting brush (22) or upholstery nozzle (24), there is no need to unplug the canister.

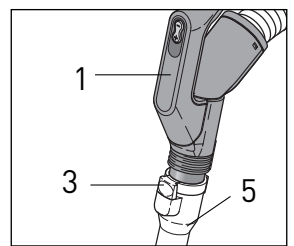


Figure 8

Bag Full or Clog Indicator & Auto Shut-Off - Figure 11

When the "BAG FULL OR CLOG" indicator, located on top of the canister (12), turns orange, airflow is reduced due to a full bag, a clog in the airflow pathway, or an excessively dirty filter. Turn the power off, unplug the machine and immediately insert a new bag (see page 12) or remove the clog (see page 14).

If the user ignores the orange warning indicator, and the motor reaches a certain temperature, it will shut off to protect itself from damage. The user should turn the power off, unplug the machine and immediately insert a new bag or remove the clog. After approximately 30 minutes, the motor will have cooled and the vacuum can be restarted. If the airflow is still restricted, the "BAG FULL OR CLOG" indicator will turn orange again and the machine will shut off. This feature prevents damage to the motor due to overheating.

Vacuuming fine dust may require an earlier filter bag change even though the filter bag is not full. Fluff may overfill the bag without the light coming on.

The bag full indicator works more efficiently at full power. Check the bag full status regularly at full suction power.

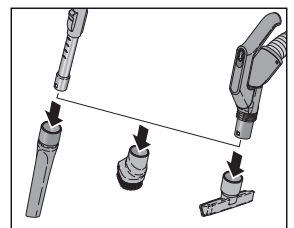


Figure 9

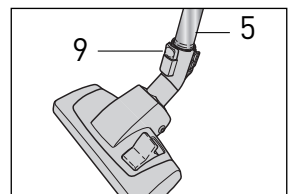


Figure 10

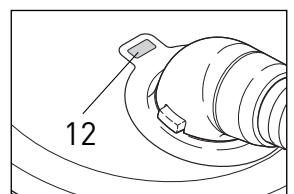


Figure 11

Retracting the Cord - Figure 12

To retract the cord, switch the vacuum off, unplug it from the outlet, then press the cord rewind button (#7) and the mechanism will automatically rewind the cord. You must hold the button down until the cord is fully rewound. Hold plug while rewinding into the cord wheel. Do not allow the plug to whip while rewinding. The rewind mechanism will stop automatically when you release the button. Before rewinding the cable, always switch off and unplug the vacuum.

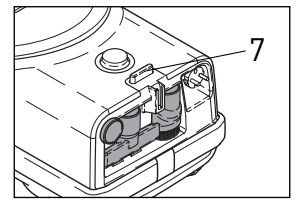


Figure 12

Storing the Vacuum - Figures 13, 14 & 15

The vacuum can be stored with the canister in a horizontal or vertical position. The standard Parquet brush has a parking tab located on the back of the neck. The Premium Parquet, Kombi and Turbo nozzles have a parking tab located on the front of the neck (34). Insert the parking tab into the upper side of the parking groove and slide down firmly. For vertical storage, use the parking slot on the underside (26). For horizontal storage, use the parking slot on the end of the canister (20).

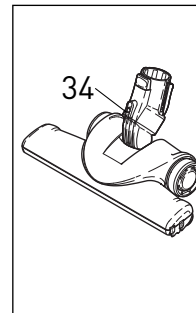


Figure 13

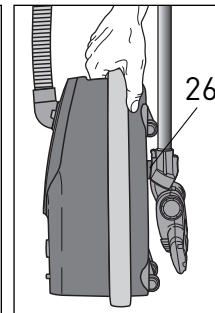


Figure 14

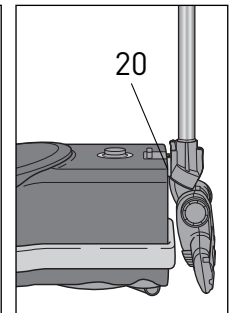


Figure 15

USE AND MAINTENANCE OF BRUSHES & HEADS



Always unplug vacuum from outlet before dismantling any part of machine!

To remove a brush or power head, switch off the power and unplug the vacuum. Then, press the tool release button (9) and pull the tube out.

NOTE! D4 PREMIUM users with the ET-1 power head, please refer to your power head user's manual for more detailed instructions for operating and maintaining your power head.

Parquet Brush (standard on D4, optional for D1) - Figure 16

The D4 PREMIUM comes with a parquet brush (29) that was designed specifically for vacuuming hard floors. It is lightweight with soft bristles, so it glides gently over floors and provides easy maneuverability. Fibers and hair can be pulled out of the bristles manually, or vacuum the bristles with the telescopic tube.

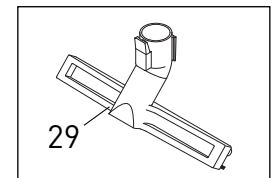


Figure 16

Premium Parquet Nozzle (optional) - Figure 17

The Premium Parquet nozzle (35) is especially designed for use on hard surfaces. The brush should be cleaned regularly. Remove the parquet nozzle from the telescopic tube to clean. Fibers and hair can be pulled out of the bristles manually, or vacuum the bristles with the telescopic tube. The brush strips are removable for cleaning and replacement. To change the brush strip, remove the yellow cap with a screw driver and pull out the brush strip. After inserting the new brush strip, the cap has to click into place again.

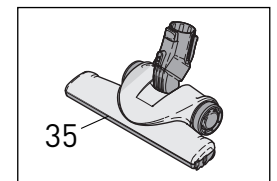


Figure 17

Kombi Nozzle (standard on D1, optional for D4) - Figure 18

The Kombi nozzle (10) is adjustable for carpet or hard floors. To set for carpet, push the small end of the toggle button (36) downward until it clicks into place. The hard floor dusting brush will raise up allowing the head to move over the carpet. To set for hard floors, push the large end of the toggle button (36) downward until it clicks into place. The brush will lower to gently sweep your floors. **The toggle button in Figure 18 is set in the position for hard floors.** The brush should be cleaned regularly. Remove the Kombi nozzle from the telescopic tube to clean. Fibers and hair can be pulled out of the bristles manually, or vacuum the bristles with the telescopic tube.

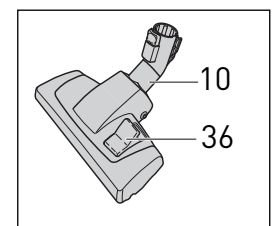


Figure 18

Turbo Nozzle (optional) - Figure 19

The Turbo nozzle (38) has an air-driven rotating brush for gentle brushing of carpets. The Turbo nozzle can be adjusted for high and low pile carpet. To adjust the head for high pile carpet, push the slider button (39) to the right. For low pile carpet, push the slider button (39) to the left. **The slider in Figure 21 is set in the low pile position.** Remove the Turbo nozzle from the telescopic tube to clean. Remove fibers and hair from the brush manually.

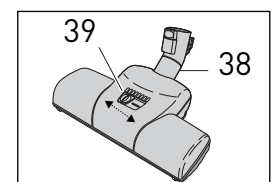


Figure 19

VACUUM MAINTENANCE



Always unplug vacuum from outlet before dismantling any part of machine!

Changing the Filter Bag - Figures 20, 21, 22, 23 & 24

To change the filter bag (40), switch off the power and unplug the vacuum. Lift the cover release catch (#15, figure 20) and raise the filter bag cover (18). Seal the filter bag with the sealing cap (41). Lift the filter bag out of the holder by tilting the green collar (42) up and pulling it out of the holder as shown in figure 21.

Insert the green collar of a new filter bag down into the filter bag holder vertically as shown in figure 23. Line up the tabs (#44, figure 22) with the slots on the green collar (#43, figure 24) and gently push the collar down flat until the center U-shaped clip (#45, figure 22) moves all the way forward. Close the cover, making sure it snaps shut completely. Do not re-use the filter bags.

The “bag full or clog” indicator works correctly only at full power. Check the status of the filter bag regularly at full power.

Note: The nature of the contents of the filter bag will affect the point at which it needs changing. Fine dust may require an earlier change even though the bag is not full. Fluff or hair allows air to pass through easily, so the filter bag may over fill before the “bag full” indicator turns orange.

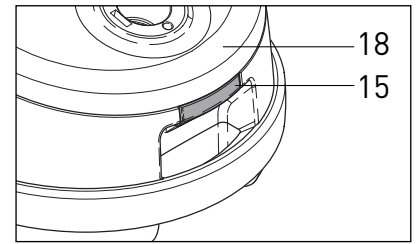


Figure 20

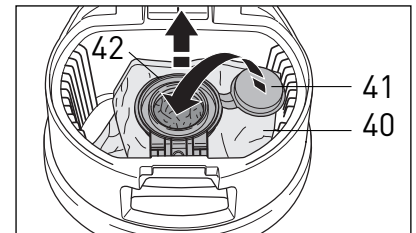


Figure 21

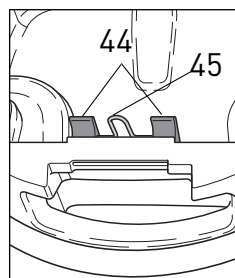


Figure 22

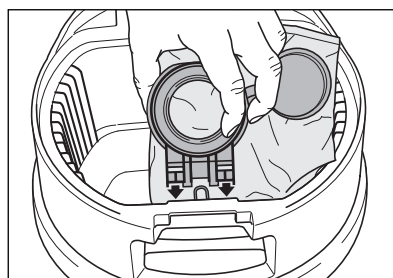


Figure 23

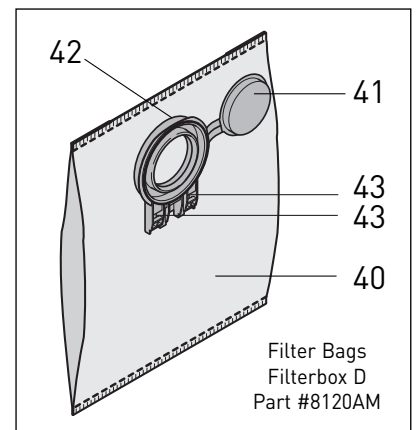


Figure 24

Changing the AIRBELT - Figure 25

If damage occurs to the AIRBELT cover, it will need to be replaced. To remove the AIRBELT (7), pry off the clip (23) by inserting the tip of a slot-head screwdriver under the bottom side of the clip. Push outward carefully on the screwdriver until the clip pops off. Grasp the end of the AIRBELT cover (7) and pull - the AIRBELT cover will peel off. The foam bumper (46) remains on the vacuum. To replace the AIRBELT, insert the side ribs of the AIRBELT into the grooves (47). Start at the back, insert the rib of the AIRBELT cover into one groove (47), and while holding it down, stretch the AIRBELT cover around the foam (46) into the opposite groove (47). Continue around the vacuum. Secure the ends with the clip (23).

SEBO AIRBELT covers are available in a variety of colors and patterns. See your SEBO dealer for available selection.

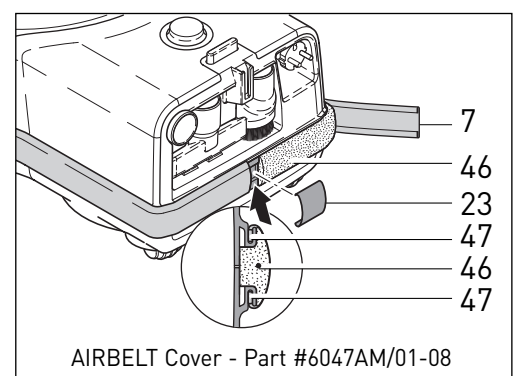
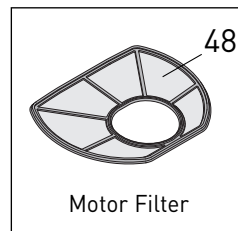


Figure 25

Note: Never operate the vacuum with incorrectly attached filters or without filters, bag, AIRBELT or filter bag housing cover (18). Do not re-use filter bags. Do not wash and re-use filters.

Changing the Motor Filter - Figures 26 & 27

The motor filter (48) needs to be changed when it becomes extremely dirty or clogged. To remove the motor filter, switch off the power and unplug the vacuum. Lift the cover release catch (#15, figure 26) and raise the filter bag cover (18). Pull the filter (48) out by grasping the rubber rim (#50, figure 27) of the filter and pulling it out of the groove (#49, inset, figure 29) that holds it. Fit the new filter into the groove and push the rubber rim snugly into the groove **all the way around the filter edge**. Do not leave any loose edges. Close the filter bag cover making sure that the cover release catch snaps back into place.



Motor Filter

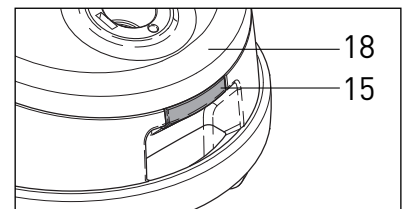


Figure 26

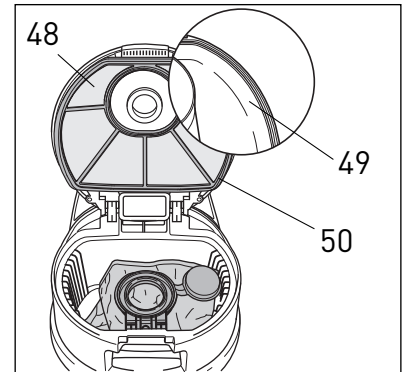
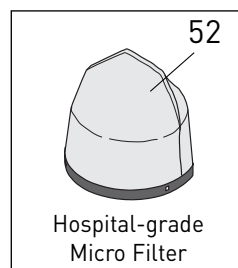


Figure 27

Changing the Hospital-grade Micro Filter - Figures 28, 29, 30 & 31

After 10 to 20 bags have been used, change the micro filter (52). To remove the micro-filter, switch off the power and unplug the vacuum. Press the release button (51) located on the filter holder (27) as shown in figure 28. While holding the button in, rotate the holder counter-clockwise and pull it out. Remove the filter (52) from the filter holder (27) by pulling the rubber strip (#53, figure 29) away from the notches (54) that hold it onto the base of the filter holder then pulling the filter off. Fit the new filter down over the holder, lining up the notches (54) on the holder with the holes (55) in the red rubber strip. The two tabs located on the indented portion of the red filter rim hook onto the holder rim (see position #56, figure 30). Tuck the peak of the filter down as shown in figure 29. Insert the assembly back into the machine and turn the holder cover clockwise (figure 31). It is not necessary to press the release button to close the filter holder.



Hospital-grade Micro Filter

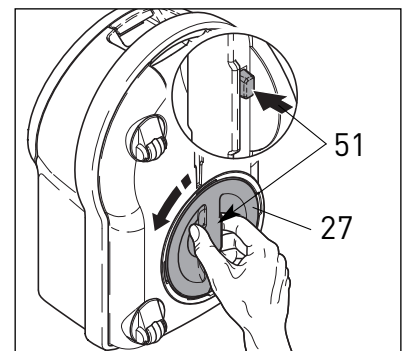


Figure 28

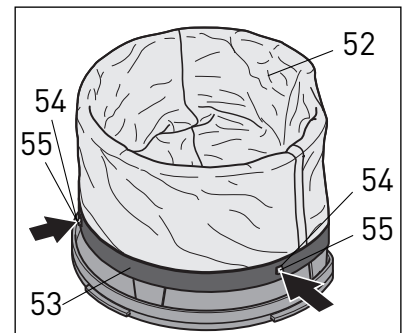


Figure 29

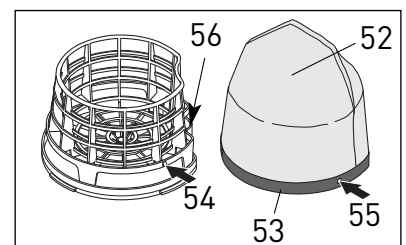


Figure 30

D Filter Set - Motor Filter and Hospital-grade Micro Filter - Part #8191AM

Note: Never operate the vacuum with incorrectly attached filters or without filters, bag, AIRBELT or filter bag housing cover (18). Do not re-use filter bags. Do not wash and re-use filters.

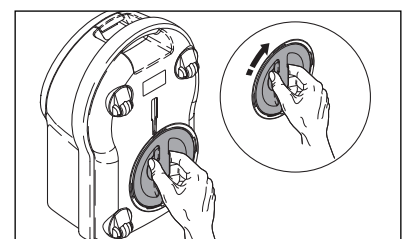


Figure 31

CLOG REMOVAL

⚠ Always switch off power and unplug vacuum from outlet before removing any clogs!

NOTE! D4 PREMIUM users with the ET-1 power head, please refer to your power head user's manual for more detailed instructions for removing clogs in your power head.

If the "bag full or clog" warning indicator (12) remains orange after the filter bag has been changed and the filters are in good condition, there is likely a clog in the system.

Clogs in the Head or Brush - Figure 32

Clogs in the swivel neck (57) of a head or brush can be cleared by first pressing the tool release button (9) and removing the brush or head. Check inside the swivel neck channel (58), and clean out pathway.

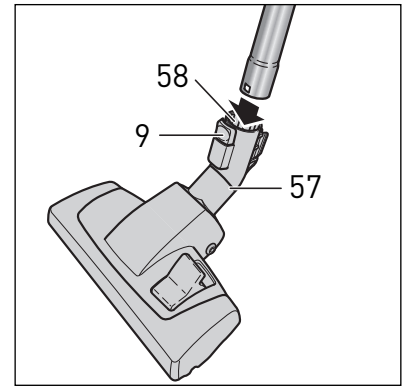


Figure 32

Clogs in the Telescopic Tube - Figure 33

Remove head from telescopic tube (5) by pushing the tool release button (9) and pulling the tube out. Remove the handle grip (1) from the top of the telescopic tube by pushing the tube release button (3). A stiff wire or stick can be used to push the clog out of the tube.

Clogs in the Hose - Figures 33, 34, 35 & 36

Check for suction at the end of the hose by removing the handle grip (1) from the telescopic tube (5) and putting your hand over the handle grip suction opening (59). Turn the power on and slide the suction up to full power. If you feel reduced suction, the blockage is in the hose.

If the blockage is in the hose, there are two ways to clear it:

1. With the telescopic tube disconnected from the handle grip (1), hold the hose upright with one hand blocking the handle grip suction opening (59) and switch on the machine with full suction power. If necessary, quickly lift your hand on and off the end of the hose. If that does not clear the clog, you may also clear clogs by reversing the hose - see #2 below.

2. With the power off, remove the hose neck (#14, figure 34) from the suction opening (19) by squeezing the two release buttons (13). Remove the handle grip (1) from the telescopic tube (figure 35) and insert the handle end of the hose (1) into the suction opening (figure 36). Note: the handle will not fit snugly into the suction opening. Then, hold the hose upright with one hand blocking the hose neck end and switch on the machine at full suction power. If necessary, quickly lift your hand on and off the neck end of the hose (figure 36). After the clog is removed, replace the hose in the correct position.

Note! Do not insert a wire or stick into the hose. Doing so may cause damage to the hose.

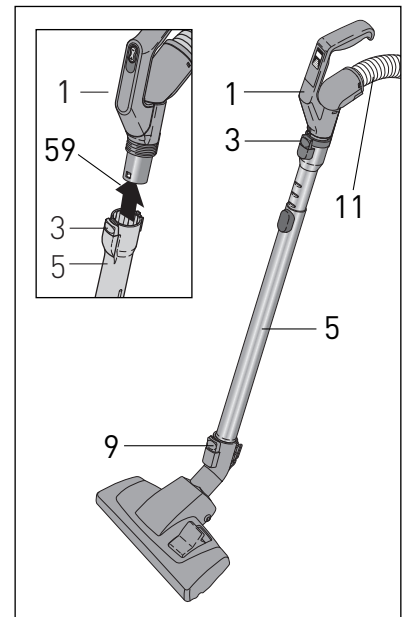


Figure 33

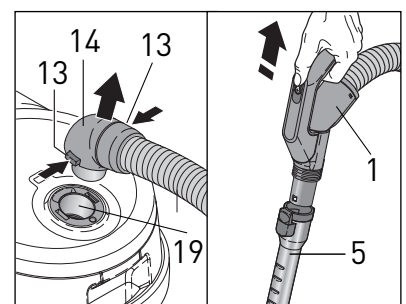


Figure 34

Figure 35

Clogs in Entrance to Filter Bag - Figure 37

Remove hose neck (14) from vacuum cleaner (see figure 34), open the filter bag cover (see page 11) and clean out entrance to bag (60).

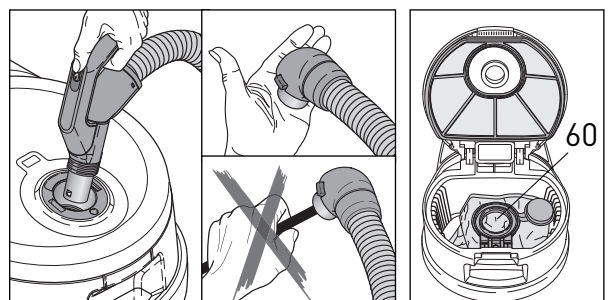


Figure 36

Figure 37

TROUBLE-SHOOTING GUIDE



Always unplug vacuum from outlet before dismantling any part of the machine!

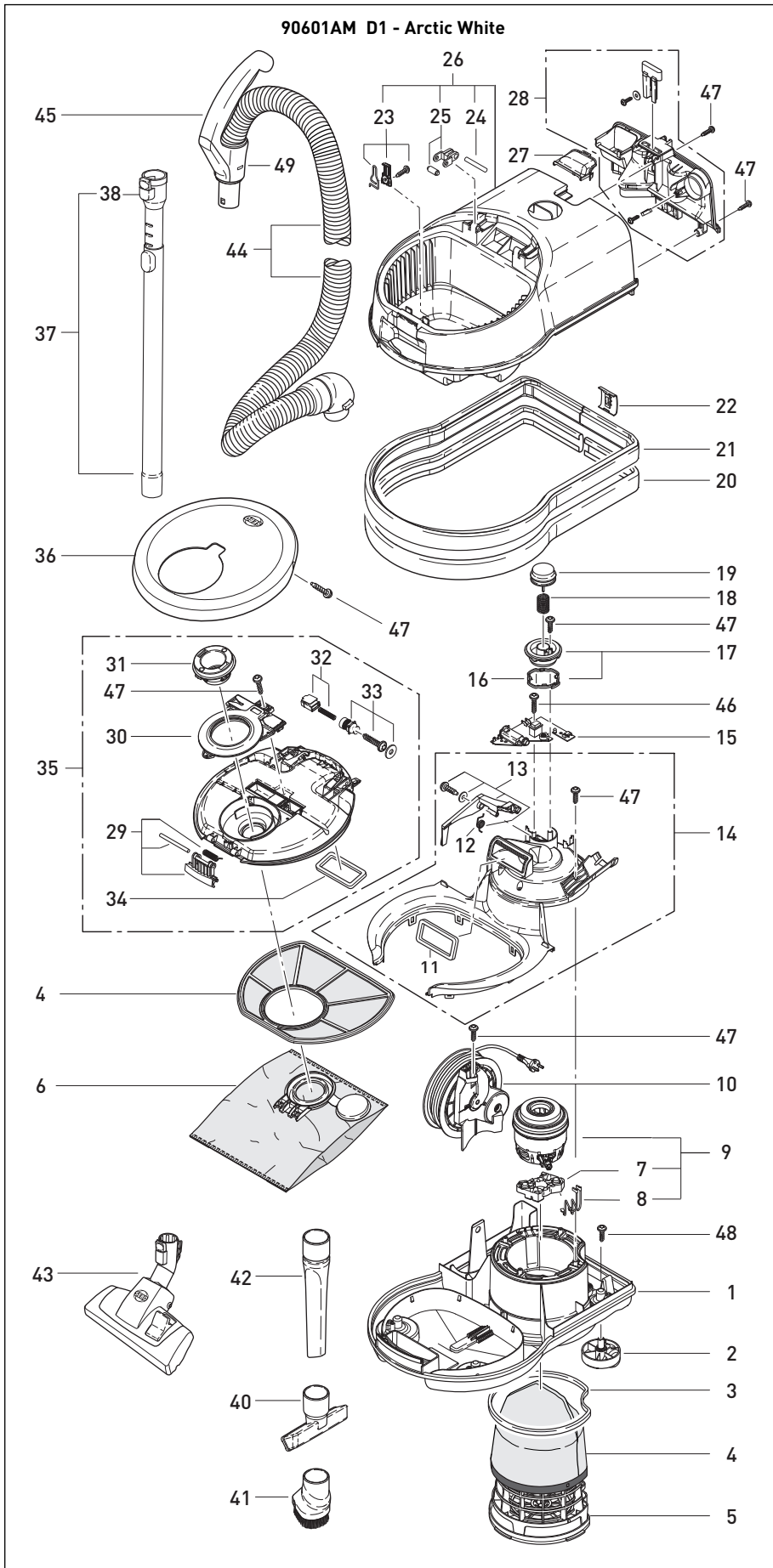
PROBLEM	REASON	SOLUTION
Does not turn on	1. Telescopic tube not inserted properly.	1. See page 10.
	2. Not plugged into working outlet.	2. Use another outlet.
	3. Cable worn.	3. Replace cable.
Bag full or clog light on Bag full or clog light on & machine shuts off	1. Bag full.	1. Replace filter bag. See page 12.
	2. Clog in hose, telescopic tube, brush or head, or entrance to filter bag.	2. See Clog Removal on page 14. Users with clog in power head attachment: refer to clog removal in the ET Power Head owner's manual.
	3. Hospital-grade micro filter dirty.	3. Replace hospital-grade micro filter. See page 13.
	4. Motor filter dirty.	4. Replace motor filter. See page 13.
Does not pick up	1. Hose/handle assembly not correctly inserted.	1. Re-insert hose/handle assembly making sure that it is lined up properly and is snapped into place. See page 8.
	2. Filter bag cover not closed.	2. See below.
Filter bag door won't fully close	1. Filter bag cover not fully closed.	1. Re-insert bag. Lock the cover down firmly. See page 12.
	2. Bag not inserted properly.	2. Re-insert bag. Lock the cover down firmly. See page 12.
	3. Motor filter not properly inserted.	3. Remove the filter bag cover (18) and make sure the motor filter is seated firmly in place all the way around the rim. See page 12.

AIRBELT D1 SCHEMATIC AND PARTS LIST

Canister with Handle/Hose

90601AM D1 - Arctic White Machine

Pos.	Part #	Description
1	8001WEER	Bottom casing (2 & 3)
2	8086GS	Castor cpl.
3	8065ER	Micro filter seal
4	8191AM	Microfilter set a) Hospital-grade micro filter & b) Motor filter
5	8084ER	Micro filter holder
6	8120AM	Filter bag
7	8045ER	Motor support
8	8091AM	Internal cable set w/thermal cut-off
9	8048ER	1200W Vac motor (7 & 8)
10	665613E	Cord reel
11	8009	Motor inlet seal
12	8098ER	Rewind lever spring
13	8036ER	Rewind lever w/hardware (12)
14	8085ER	Motor cover cpl (11 & 13)
15	8102ER	Printed circuit board
16	8058ER	Retaining ring
17	8038ER2	Power display (16)
18	8057	Spring for power button
19	8202GS	Power knob
20	6047AM/01	AIRBELT cover, gray black
21	8033UL	Foam bumper
22	8034GS	AIRBELT clip
23	8140ER	Filter bag spring w/hardware
24	6750ER	Bag cover axle set
25	8052ER	Bag cover hinge (2 pcs) w/ axle
26	8003WEER	Top casing (23-25)
27	8059GS	Cable entry
28	8010GSER	Attachment holder cpl
29	8114ER	Bag cover release w/axle & spring
30	8129GS	Bag cover insert
31	8078GS	Hose neck
32	7020ER	Bag indicator w/spring
33	8127ER	Bag indicator adjuster w/hardware
34	8130	Bag cover seal
35	8051AM1	Inside cover cpl (29-34, 47)
36	8005WEA0	Bag cover
37	6237ER	Telescopic tube
38	1735ER	Release button cpl.
40	8142GS	Upholstery nozzle
41	8146ER	Dusting brush, horsehair
42	8066GS	Crevice nozzle
43	1397GS	KOMBI nozzle
44	8169GS	Hose w/end couplings incl. handle
45	6300GS	Handle grip cpl.
46	01000	Screw C 2.9x16
47	01036	Screw 4 x14
48	0102	Screw F 3.9x13
49	6303GS	Retaining ring



AIRBELT D4 PREMIUM SCHEMATIC AND PARTS LIST

90640AM D4 PREMIUM - Black (Onyx)
90641AM D4 PREMIUM - White

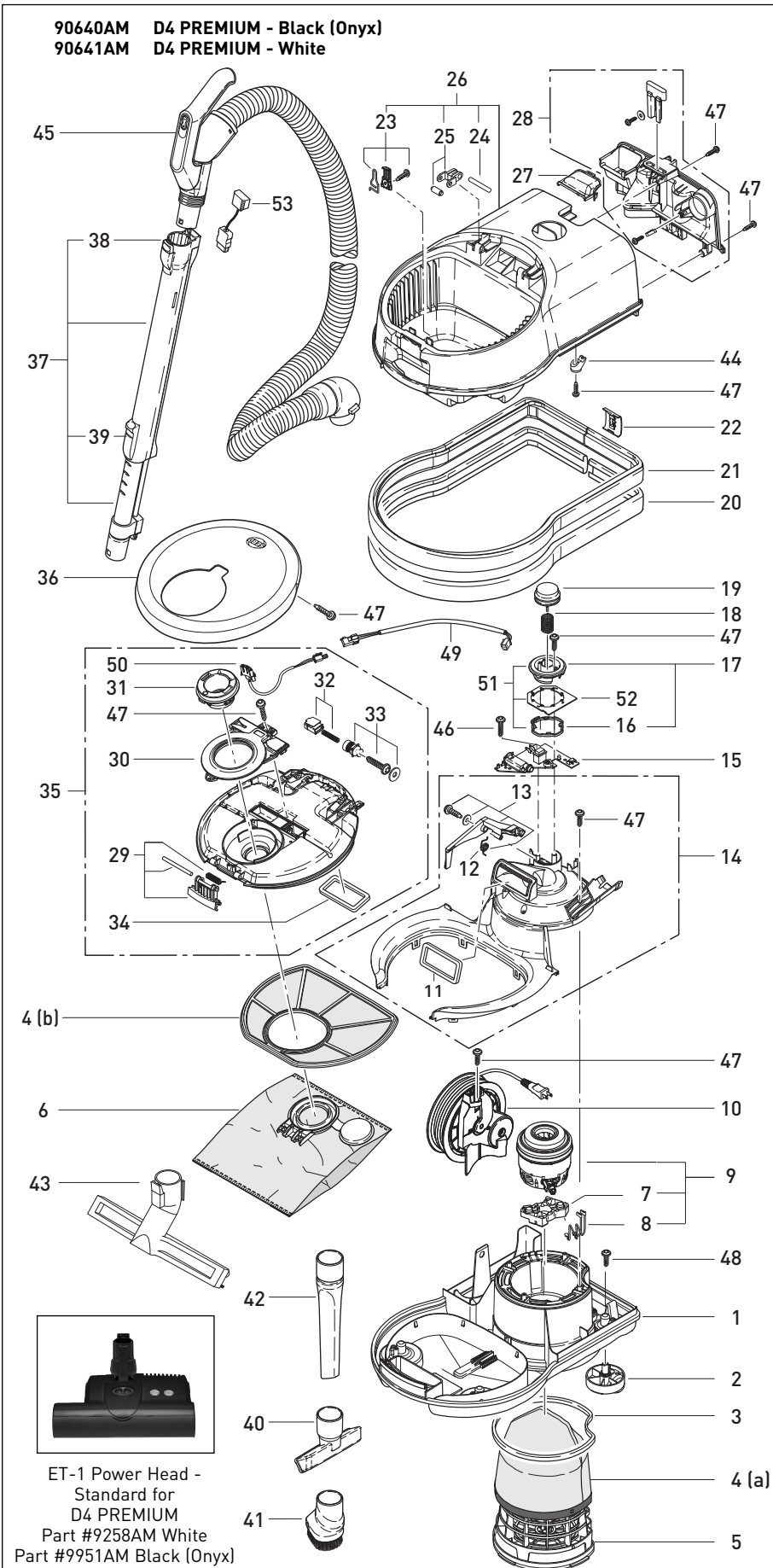
Canister with Handle/Hose

90641AM D4 PREMIUM - White Machine

Pos.	Part #	Description
1	8001WEER	Bottom casing (2 & 3)
2	8086	Castor cpl
3	8065ER	Micro filter seal
4	8191AM	Microfilter set a) Hospital-grade micro filter & b) Motor filter
5	8084ER	Micro filter holder
6	8120AM	Filter bag
7	8045ER	Motor support
8	8091AM	Internal cable set w/thermal cut-off
9	8048ER	1200W Vac motor (7 & 8)
10	665613E	Cord reel
11	8009	Motor inlet seal
12	8098ER	Rewind lever spring
13	8036ER	Rewind lever w/hardware (12)
14	8085ER	Motor cover cpl (11 & 13)
15	8106ER	PCB w/ switch
16	8058ER	Retaining ring
17	8038ER1	Power display (16)
18	8057	Spring for power button
19	8037GS	Power button
20	6047AM/01	AIRBELT cover (dark gray)
21	8033UL	Foam bumper
22	8034GS	AIRBELT clip
23	8140ER	Filter bag spring w/hardware
24	6750ER	Bag cover axle set
25	8052ER	Bag cover hinge (2 pcs) w/ axle
26	8003WEER	Top casing (23-25)
27	8059GS	Cable entry
28	8010PRER	Attachment holder cpl
29	8114ER	Bag cover release w/axle & spring
30	8129GS	Bag cover insert
31	8079ER	Hose neck w/ wiring (50)
32	7020ER	Bag indicator w/spring
33	8127ER	Bag indicator adjuster w/hardware
34	8130	Bag cover seal
35	8051AM4	Inside cover cpl (29-34, 47 & 50)
36	8005WEA2	Bag cover
37	6270GS	Telescopic tube (38&39)
38	6420GS	Release button, leaf spring & cap
39	6421GS	Slider button w/hardware
40	8142GS	Upholstery nozzle
41	8146ER	Dusting brush, horsehair
42	8066GS	Crevice nozzle
43	6391DA	Parquet nozzle
44	5266	Cable clamp
45	8119AM	7' hose with handle
46	01000	Screw C 2.9 x 16
47	01036	Screw 4 x 14
48	0102	Screw F 3.9 x 13
49	8160	Internal cable
50	8093	Hose neck wiring
51	8038ER4	Power display (16,17 & 52)
52	8108ER	PCB w/lights
53	6369G2	Mains cable - 160 mm

90640AM D4 PREMIUM - Black (Onyx) Machine

Pos.	Part #	Description
1	8001SWER	Bottom casing (2)
20	6047AM/02	AIRBELT cover (silver)
26	8003SWER	Top casing (23-25)
36	8005SWA2	Bag cover



NOTES